



Burner controls

LME...

Burner controls for the supervision of 1- or 2-stage gas or gas/oil burners of small to medium capacity, with or without fan in intermittent operation.

The LME... and this Data Sheet are intended for use by OEMs which integrate the burner controls in their products.

Use, features

Use

LME... are used for the startup and supervision of 1- or 2-stage gas or gas/oil burners in intermittent operation. The flame is supervised by an ionization probe or flame detector QRA... with ancillary unit AGQ3... A27 for gas/oil forced draft burners or blue-burning flames with blue-flame detectors QRC...
In terms of housing dimensions, the LME... are identical with the burner control LGB... and LMG... burner controls (refer to *Type summary*).

- For gas burners with or without fan to EN 298: 2003
- For gas forced draft burners to EN 676
- For oil burners to EN 230: 2005-10

Features

- Undervoltage detection
- Air pressure supervision with functional check of the air pressure switch during startup and operation
- Electrical remote reset facility
- Multicolor indication of fault status and operational status messages
- Limitation of the number of repetitions
- Accurate control sequence thanks to digital signal handling
- Controlled intermittent operation after 24 hours of continuous operation

**Note!**

For supplementary documentation see Product Range Overview LME... (Q7101).

Warning notes



To avoid injury to persons, damage to property or the environment, the following warning notes must be observed!

Do not to open, interfere with or modify the unit!

- All activities (mounting, installation and service work, etc.) must be performed by qualified staff
- Before making any wiring changes in the connection area, completely isolate the plant from mains supply (all-polar disconnection). Ensure that the plant cannot be inadvertently switched on again and that it is indeed dead. If not observed, there is a risk of electric shock hazard
- Ensure protection against electric shock hazard by providing adequate protection for the connection terminals. If this is not observed, there is a risk of electric shock
- Press the lockout reset button/operation button of the LME... or the lockout reset button extension AGK20... only manually (applying a force of no more than 10 N) without using any tools or pointed objects. If this is not observed, there is a risk of loss of safety functions and a risk of electric shock
- Fall or shock can adversely affect the safety functions. Such units must not be put into operation, even if they do not exhibit any damage. If this is not observed, there is a risk of loss of safety functions and a risk of electric shock
- Each time work has been carried out (mounting, installation, service work, etc.), check to ensure that wiring is in an orderly state and make the safety checks as described in *Commissioning notes*. If this is not observed, there is a risk of loss of safety functions and a risk of electric shock

Engineering notes

- When used in connection with actuators, there is no position feedback signal from the actuator to the burner control
- When used in connection with actuators, the requirements of applicable norms and regulations must be observed
- The running times of the actuators must match the burner control's program. An additional safety check of the burner together with the actuators is required
- When substituting LGB... or LMG... by LME..., the ancillary unit AGQ1... or AGQ2... must be replaced by the AGQ3...A27

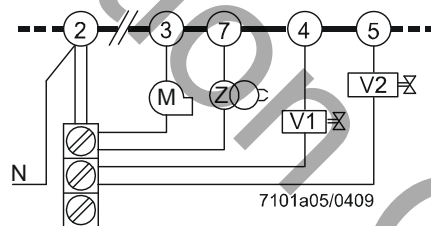
Mounting notes

- Ensure that the relevant national safety regulations are complied with

Installation notes

- Always run the high ignition voltage cables separate from the unit and other cables while observing the greatest possible distance
- Do not mix up live and neutral conductors
- Install switches, fuses, earthing, etc., in compliance with local regulations
- The connection diagrams show the burner controls with earthed neutral conductor. In networks with non-earthed neutral conductor and ionization current supervision, terminal 2 must be connected to the earth conductor via an RC unit (ARC 4 668 9066 0). It must be made certain that local regulations are complied with (e.g. protection against electric shock hazard) since AC 120 V (50/60 Hz) or AC 230 V (50/60 Hz) mains voltage produces peak leakage currents of 2.7 mA
- Make certain that the maximum permissible current rating of the connection terminals will not be exceeded
- Do not feed external mains voltage to the control outputs of the burner control. When testing the devices controlled by the burner control (fuel valves, etc.), the burner control must not be connected
- In the case of burners with no fan motor, an AGK25 must be connected to terminal 3 of the unit, or else the burner cannot reliably be started up
- Check the connecting lines of the air pressure switch for short-circuits (connection terminals 3, 6 and 11). If this is not observed, there is a risk of loss of safety functions
- For safety reasons, feed the neutral conductor to terminal 2. Connect the burner components (fan, ignition transformer and fuel valves) to the neutral distributor as shown below. The connection between neutral conductor and terminal 2 is prewired in the base

Example



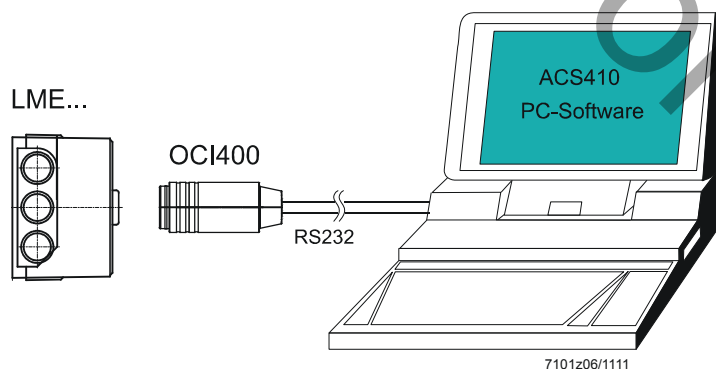
Legend

- | | |
|------|----------------------|
| V... | Fuel valve |
| M | Fan motor |
| Z | Ignition transformer |

Correct wiring of neutral conductors!

Connection interface OCI400...

- Put the interface OCI400... in the connector at lockout reset button of LME... Interface diagnostics works only if the AGK20... lockout reset button extension is not fitted
- Connect the interface OCI400... without other extension to the interface at your PC, follow the example design below



Electrical connection of flame detectors

It is important to achieve practically disturbance- and loss-free signal transmission:

- Never run detector cables together with other cables
 - Line capacitance reduces the magnitude of the flame signal
 - Use a separate cable
- Observe the permissible length of the detector cables (see Technical data)
- The ionization probe and ignition electrode are not protected against electric shock hazard
- Locate the ignition electrode and the ionization probe such that the ignition spark cannot arc over to the ionization probe (risk of electrical overloads) and that it cannot adversely affect the supervision of ionization
- Insulation resistance
 - Must be a minimum of 50 MΩ between ionization probe and ground
 - Soiled detector holders reduce the insulation resistance, thus supporting creepage currents
- Earth the burner in compliance with the relevant regulations; earthing the boiler alone does not suffice

Commissioning notes

- When commissioning the plant for the first time or when doing maintenance work, make the following safety checks:

	Safety check to be carried out	Anticipated response
a)	Burner startup with previously interrupted line to the flame detector	LME11.../LME41.051...: Max. 3 repetitions LME2.../LME41.052.../LME41.053.../LME41.054.../LME41.071.../ LME41.09.../LME44...: Lockout at the end of safety time
b)	Burner operation with simulated loss of flame. For that purpose, cut off the fuel supply	LME11.../LME41.051...: <ul style="list-style-type: none"> • Establishment of flame at the end of safety time → Max. 3 repetitions • No establishment of flame at the end of safety time → Lockout LME2.../LME44...: Lockout LME41.052.../LME41.053.../LME41.054.../LME41.071.../LME41.09.../ LME44.190...: Repetition
c)	Burner operation with simulated air pressure failure (not with atmospheric burners)	Immediate lockout LME41...: Safety shutdown / restart

Prior to commissioning, the following points must be checked:

- Correct functioning of the flame detector in the event of loss of flame during operation (including the response time), with extraneous light, during the prepurge time and, when there is no establishment of flame, at the end of the safety time
- Air pressure
- Safety loop (e.g. safety limit thermostat)
- Min. gas pressure (gas pressure switch)



Conformity to EEC directives
 - Electromagnetic compatibility EMC (immunity)
 - Directive for gas-fired appliances
 - Low-voltage directive
 - Directive for pressure devices

2004/108/EC
 2009/142/EC
 2006/95/EC
 97/23/EC



ISO 9001: 2010
 Cert. 00739



ISO 14001: 2010
 Cert. 38233

Identification code to EN 230/EN 298

LME11...	F M C L X N
LME21... / LME22... / LME23...	F T L L X N
LME41...	A M C L X N
LME44...	A B L L X N

Product no.				
LME11.230C2	---	●	●	---
LME11.330C2	---	●	●	●
LME21.130C1	●	●	●	---
LME21.130C2	●	●	●	●
LME21.230C2	●	●	●	●
LME21.330C1	●	●	●	---
LME21.330C2	●	●	●	●
LME21.350C1	●	●	●	---
LME21.350C2	●	●	●	●
LME21.550C2	●	●	●	●
LME22.131C2	●	●	●	●
LME22.231C2	●	●	●	●
LME22.232C2	●	●	●	●
LME22.233C2	●	●	●	●
LME22.331C1	●	●	●	---
LME22.331C2	●	●	●	●
LME23.331C2	●	●	●	●
LME23.351C2	●	●	●	●
LME41.051C2	---	●	●	---
LME41.052C2 *)	---	●	●	---
LME41.053C2 *)	---	●	●	---
LME41.054C2	---	●	●	---
LME41.071C2	---	●	●	---
LME41.091C2	---	●	●	---
LME41.092C2	---	●	●	---
LME44.056C2	---	●	●	●
LME44.057C1	---	●	●	---
LME44.057C2	---	●	●	●
LME44.190C2	---	●	●	●

*) On request

Service notes

- Use the service adapter KF8872 for short periods of time only

Lifetime

The burner control has a designed lifetime* of 250,000 burner startup cycles which, under normal operating conditions in heating mode, correspond to approx. 10 years of usage (starting from the production date given on the type field). This lifetime is based on the endurance tests specified in standard EN 230/EN 298 and the table containing the relevant test documentation as published by the European Association of Component Manufacturers (Afecor) (www.afecor.org).

The designed lifetime is based on use of the burner controls according to the manufacturer's Data Sheet. After reaching the designed lifetime in terms of the number of burner startup cycles, or the respective time of usage, the burner control is to be replaced by authorized personnel.

* The designed lifetime is not the warranty time specified in the Terms of Delivery

Disposal notes



The unit contains electrical and electronic components and must not be disposed of together with domestic waste.

Local and currently valid legislation must be observed.

Mechanical design

LME...

- Units of plug-in design like their predecessor types LGB... and LMG... (see Dimensions)
- Burner controls LME... and plug-in base AGK11... are black
- The housing is made of impact-proof, heat-resistant and flame-retarding plastic. It is of plug-in design and engages audibly in the base
- The housing accommodates the
 - microcontroller for the control sequence and the control relays for load control
 - electronic flame signal amplifier (ionization)
 - lockout reset button with its integrated 3-color signal lamp for operational status and fault status messages and the socket for connecting the interface OCI400... or the lockout reset button extension AGK20...
- All safety-related digital inputs and outputs of the system are monitored by means of a contact feedback network

Versions

- Burner capacity unlimited (thermal output on startup ≤ 120 kW)
- 3 repetitions in the event of loss of flame during operation (LME11.../LME41.051...)
- Repetition in the event of loss of flame during operation (LME41.052.../LME41.053.../LME41.054.../LME41.071.../LME41.091.../LME41.092.../LME44.190...)

Indication and diagnostics

- Multicolor indication for operational status and fault status messages via multicolor signal lamp in the lockout reset button
- Transmission of operational status and fault status messages and detailed service information via UDS communication at interface diagnostic mode (UDS)
- PC software ACS410 enabled via optical interface OCI400... a simple operation, comfortable readout of settings and operating states, trend recording and targeted diagnostic of LME...

Type summary (other types on request)

The product nos. applies to the LME... without plug-in base and without flame detector.
For ordering information on plug-in bases and other accessories, see Ordering.

Flame detector	Product no.	Mains voltage	tw approx. s	t1 min. s	TSA max. s	t3n approx. s	t3 approx. s	t4 approx. s	t10 min. s ³⁾	t11 min. s ¹⁾	t12 min. s ¹⁾	Repetition	Replacing...
Burner controls for 1-stage burners (up to 120 kW output)													
Ionization probe	LME11.230C2	AC230 V	2.5	20	3	2.5	2	---	5	---	---	3x	---
	LME11.330C2	AC230 V	2.5	30	3	2.5	2	---	5	---	---	3x	---
Burner controls for 2-stage burners, without actuator control													
Ionization probe or flame detector QRA... ⁴⁾ with AGQ3...A27	LME21.130C1	AC120 V	2.5	7	3	2.5	2	8	5	---	---	---	LGB21.130A17
	LME21.130C2	AC230 V	2.5	7	3	2.5	2	8	5	---	---	---	LGB21.130A27 LMG21.130B27
	LME21.230C2	AC230 V	2.5	20	3	2.5	2	8	5	---	---	---	LGB21.230A27 LMG21.230B27
	LME21.330C1	AC120 V	2.5	30	3	2.5	2	8	5	---	---	---	---
	LME21.330C2	AC230 V	2.5	30	3	2.5	2	8	5	---	---	---	LGB21.330A27 LMG21.330B27
	LME21.350C1	AC120 V	2.5	30	5	4.5	2	10	5	---	---	---	LGB21.350A17
	LME21.350C2	AC230 V	2.5	30	5	4.5	2	10	5	---	---	---	LGB21.350A27 LMG21.350B27
	LME21.550C2	AC230 V	2.5	50	5	4.5	2	10	5	---	---	---	LGB21.550A27
Burner controls for 2-stage burners, with actuator control													
Ionization probe or flame detector QRA... ⁴⁾ with AGQ3...A27	LME22.131C2	AC230 V	2.5	7	3	2.5	3	8	3	12	12	---	LGB22.130A27 LMG22.130B27
	LME22.231C2	AC230 V	2.5	20	3	2.5	3	8	3	12	12	---	---
	LME22.232C2	AC230 V	2.5	20	3	2.5	3	8	3	16.5	16.5	---	LGB22.230A27 LMG22.230B27
	LME22.233C2	AC230 V	2.5	20	3	2.5	3	8	3	30	30	---	LMG22.233B27
	LME22.331C1	AC120 V	2.5	30	3	2.5	3	8	3	12	12	---	---
	LME22.331C2	AC230 V	2.5	30	3	2.5	3	8	3	12	12	---	LGB22.330A27 LMG22.330B27
Burner controls for 2-stage burners, with actuator control													
Blue-flame detector QRC...	LME23.331C2	AC230 V	2.5	30	3	2.5	3	8	3	12	12	---	LGB32.330A27
	LME23.351C2	AC230 V	2.5	30	5	4.5	1	10	3	12	12	---	LGB32.350A27

Legend

tw	Waiting time
TSA	Safety time
t1	Prepurge time
t3	Preignition time
t3n	Postignition time
t4	Interval between ignition OFF and release of fuel valve 2
t10	Specified time for air pressure signal
t11	Programmed opening time for actuator
t12	Programmed closing time for actuator
t22	2nd safety time

- 1) Max. running time available for actuator
Actuator running time must be shorter
- 2) 2nd safety time + response time of flame relay
- 3) Approx. 180 s
- 4) Only used for AC 230 V

Type summary (other types on request) [cont'd]

Flame detector	Product no.	Mains voltage	TSA max. s	tw approx. s	t1' min. s	t3 approx. s	t3n approx. s	t4 approx. s	t22 approx. s	Repetition	Replacing...
Burner controls for atmospheric burners											
Ionization probe or flame detector QRA... ¹⁾ with AGQ3...A27	LME41.051C2	AC 230 V	5	2.5	1	1	4.5	---	---	3x	---
	LME41.052C2	AC 230 V	5	2.5	1	10	4.5	---	---	●	On request
	LME41.053C2	AC 230 V	5	2.5	10	1	4.5	---	---	●	On request
	LME41.054C2	AC 230 V	5	2.5	1	1	4.5	---	---	●	LGD12.05A27
	LME41.071C2	AC 230 V	10	2.5	10	1	9	---	---	●	---
	LME41.091C2	AC 230 V	10	2.5	1	10	9	---	---	●	LGA41.173A27
	LME41.092C2	AC 230 V	10	2.5	1	1	9	---	---	●	LGD12.01A27
Burner controls for atmospheric burners											
Ionization probe or flame detector QRA... ¹⁾ with AGQ3...A27	LME44.056C2	AC 230 V	5	16	9	2	4.5	10	5	---	LGB41.255A27
	LME44.057C1	AC 120 V	5	16	9	2	4.5	10	8	---	LGB41.258A17
	LME44.057C2	AC 230 V	5	16	9	2	4.5	10	8	---	LGB41.258A27
	LME44.190C2	AC 230 V	10	2.5	12	0,5	9,5	25	---	●	---

Legend

- tw Waiting time
- TSA Safety time
- t1' Purge time
- t3 Preignition time
- t3n Postignition time
- t4 Interval between ignition OFF and release of fuel valve 2
- t22 2nd safety time

1) Only used for AC 230 V

Technical data

General unit data	Mains voltage	AC 120 V +10%/-15%
		AC 230 V +10%/-15%
	Mains frequency	50...60 Hz \pm 6%
	Power consumption	12 VA
	External primary fuse	Max. 10 A (slow)
	Mounting position	Optional
	Input current at terminal 12	Max. 5 A
	Weight	Approx. 160 g
	Safety class	I (burner control with plug-in base)
	Degree of protection	IP40 (to be ensured through mounting)
	Perm. cable length terminal 1	Max. 1 m at a line capacitance of 100 pF/m (max. 3 m at 15 pF/m)
	Perm. cable length from QRA... to AGQ3...A27 (lay separate cable)	Max. 20 m at 100 pF/m
	Perm. cable length terminals 8 and 10 (lay separate cable)	Max. 20 m at 100 pF/m
	Perm. cable lengths other terminals	Max. 3 m at 100 pF/m

Perm. terminal load	At $\cos\phi \geq 0.6$	At $\cos\phi = 1$
- Terminal 3	Max. 2.7 A (15 A for max. 0.5 s \rightarrow only LME2...)	Max. 3 A
- Terminals 4, 5, 7 and 9 (11)	Max. 1.7 A	Max. 2 A
- Terminal 10	Max. 1 A	Max. 1 A

Environmental conditions

Environmental conditions	Storage	DIN EN 60721-3-1
	Climatic conditions	Class 1K3
	Mechanical conditions	Class 1M2
	Temperature range	-20...60 °C
	Humidity	<95% r.h.
	Transport	DIN EN 60721-3-2
	Climatic conditions	Class 2K2
	Mechanical conditions	Class 2M2
	Temperature range	-20...60 °C
	Humidity	<95% r.h.
	Operation	DIN EN 60721-3-3
	Climatic conditions	Class 3K3
Mechanical conditions	Class 3M3	
Temperature range	-20... 60 °C	
Humidity	<95% r.h.	



Caution!
Condensation, formation of ice and ingress of water are not permitted!

**Flame supervision
with ionization probe**

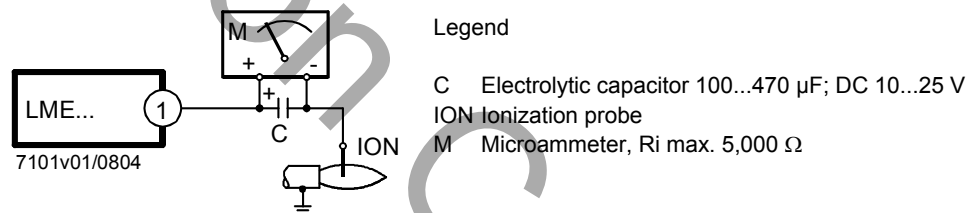
	At mains voltage	
	UN = AC 120 V ¹⁾	UN = AC 230 V ¹⁾
Detector voltage between ionization probe and ground (AC voltmeter $R_i \geq 10 \text{ M}\Omega$)	AC 50...120 V	AC 115...230 V
Switching threshold (limit values):		
Switching on (flame ON) (DC ammeter $R_i \leq 5 \text{ k}\Omega$)	$\geq \text{DC } 1.5 \mu\text{A}$	$\geq \text{DC } 1.5 \mu\text{A}$
Switching off (flame OFF) (DC ammeter $R_i \leq 5 \text{ k}\Omega$)	$\leq \text{DC } 0.5 \mu\text{A}$	$\leq \text{DC } 0.5 \mu\text{A}$
Detector current required for reliable operation	$\geq \text{DC } 3 \mu\text{A}$	$\geq \text{DC } 3 \mu\text{A}$
Switching threshold in the event of poor flame during operation (LED flashes green)	Approx. DC $5 \mu\text{A}$	Approx. DC $5 \mu\text{A}$
Short-circuit current between ionization probe and ground (AC ammeter $R_i \leq 5 \text{ k}\Omega$)	Max. AC 50...150 μA	Max. AC 100...300 μA

¹⁾ For applications outside the European Union, operation at mains voltage AC 120 V/AC 230 V $\pm 10\%$ is ensured

Note!
With the same quality of flame, the detector current with the LME... may be different from than with LMG.../LGB...

Flame supervision with ionization is accomplished by making use of the conductivity and rectifying effect of the flame. The flame signal amplifier only responds to the DC current component of the flame signal. A short-circuit between ionization probe and ground causes the burner to initiate lockout.

Measuring circuit



For detector currents, see Technical data.

Only in connection with LMExx.xxxx2 (AC 230 V)!

Flame supervision with AGQ3...A27 and UV detector QRA...

Mains voltage	AC 230 V +10%/-15%
Mains frequency	50...60 Hz ±6%
Perm. cable length from QRA... to AGQ3...A27 (lay separate cable)	Max. 20 m
Perm. cable length from AGQ3...A27 to LMExx.xxxx2	Max. 2 m
Weight of AGQ3...A27	Approx. 140 g
Perm. mounting position	Optional
Degree of protection	IP40, to be ensured through mounting
Power consumption	4.5 VA

	At mains voltage Un	
	AC 220 V	AC 240 V
Detector voltage at QRA... (with no load)		
Terminal 3 OFF (refer to control sequence)	DC 400 V	DC 400 V
Terminal 3 ON (refer to control sequence)	DC 300 V	DC 300 V
Detector voltage Load by DC measuring instrument Ri >10MΩ		
Terminal 3 OFF (refer to control sequence)	DC 380 V	DC 380 V
Terminal 3 ON (refer to control sequence)	DC 280 V	DC 280 V
DC current detector signals with flame detector QRA...	Min. required	Max. possible
Measurement at the flame detector QRA...	200 µA	500 µA

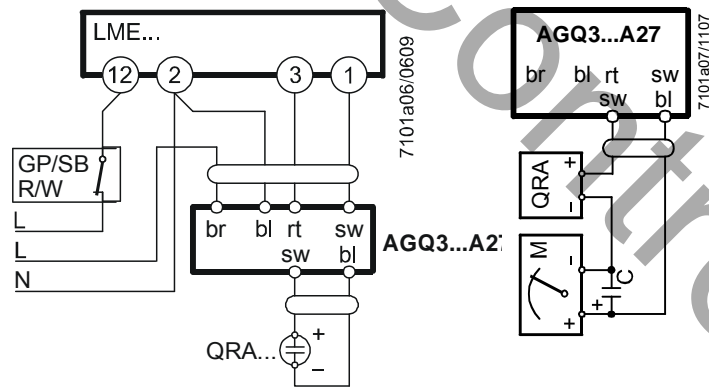
Ancillary unit AGQ3...A27

In connection with burner controls LMExx.xxxx2, use of UV ancillary unit AGQ3...A27 is mandatory.

Correct functioning of aged UV cells can be checked as UV test with a higher supply voltage across the UV cell after controlled shutdown until terminal 3 ON.

Connection diagram

Measuring circuit for measuring the UV flame current



Measurement made at the flame detector QRA...

Legend

C	Electrolytic capacitor 100...470 µF; DC 10...25 V	bl	Blue
M	Microammeter Ri max. 5,000 Ω	br	Brown
QRA...	Flame detector	gr	Grey
GP	Pressure switch	rt	Red
SB	Safety limiter	sw	Black
R	Control thermostat or pressurestat		
W	Limit thermostat or pressure switch		

Flame supervision with QRC...
(only LME23...)

	Detector current required (with flame)	Perm. detector current (without flame)	Possible detector current with flame (typically)
QRC...	Min. 70 µA	Max. 5.5 µA	Max. 100 µA

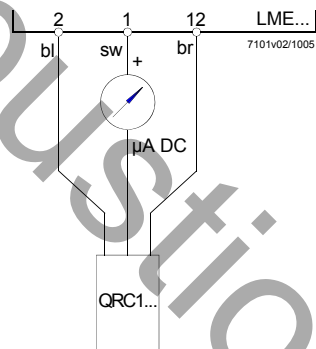
The values given in the table above only apply under the following conditions:
 - Mains voltage AC 120 V/AC 230 V
 - Ambient temperature 23 °C

Green LED for operational status indication

	Detector current in operation: - Flame signal instable - Green LED flashing	Detector current in operation: - Flame signal stable - Green LED steady on
QRC...	<45 µA	>45 µA

The values given in the table above only apply under the following conditions:
 - Mains voltage AC 120 V/AC 230 V
 - Ambient temperature 23 °C

Measuring circuit for detector current



Legend

- µA DC DC microammeter with an internal resistance of $R_i = \text{max. } 5 \text{ k}\Omega$
- bl Blue
- sw Black
- br Brown

As an alternative to detector current measurement, the OCI400.../ACS410 diagnostics tool can be used. In that case, the DC microammeter is not required.

Functions

Preconditions for burner startup

- Burner control must be reset
- All contacts in the line are closed, request for heat
- No undervoltage
- Air pressure switch must be in its no-load position
- Fuel valve 1 is connected
- Fan motor or AGK25 is connected (not at LME4...)
- Flame detector is darkened and there is no extraneous light

LME41...

- Air pressure switch must be in its no-load position or DBR1

LME44...

- CPI in its no-load position or DBR2

Undervoltage

- Safety shutdown from the operating position takes place should mains voltage drop below about AC 75 V (at $U_N = \text{AC } 120 \text{ V}$)
- Restart is initiated when mains voltage exceeds about AC 95 V (at $U_N = \text{AC } 120 \text{ V}$)
- Safety shutdown from the operating position takes place should mains voltage drop below about AC 165 V (at $U_N = \text{AC } 230 \text{ V}$)
- Restart is initiated when mains voltage exceeds about AC 175 V (at $U_N = \text{AC } 230 \text{ V}$)

Controlled intermittent operation

After no more than 24 hours of continuous operation, the burner control will initiate automatic controlled shutdown followed by a restart.

Functions (cont'd)

Control sequence in the event of fault If lockout occurs, the outputs for the fuel valves, the burner motor and the ignition equipment will immediately be deactivated (<1 second).

Cause	Response
Mains voltage failure	Restart
Voltage below undervoltage threshold	Safety shutdown
Voltage above undervoltage threshold	Restart
Extraneous light during prepurge time	Lockout
Extraneous light during waiting time	Prevention of startup, lockout after 30 seconds at the latest LME41.051..., LME41.054..., LME41.092...: Prevention of startup
No flame at the end of safety time	LME11..., LME41.051...: Max. 3 repetitions, followed by lockout at the end of safety time LME2..., LME41.052..., LME41.053..., LME41.054..., LME41.071..., LME41.09..., LME44.190...: Lockout at the end of safety time
Loss of flame during operation	LME11..., LME41.051...: <ul style="list-style-type: none"> Establishment of flame at the end of safety time → Max. 3 repetitions No establishment of flame at the end of safety time → Lockout LME2...: Lockout LME41.052..., LME41.053..., LME41.054..., LME41.071..., LME41.09..., LME44.190...: Repetition
Air pressure switch welded in working position - Error with valve proving (only in conjunction with LDU11...)	Prevention of startup, lockout after 65 seconds at the latest
LME41...: No reaction	
Air pressure switch welded in no-load position	Lockout approx. 180 seconds after completion of specified time
LME41...: Air pressure switch welded in no-load position or no connection (jumper) between terminal 3 and terminal 11	
No air pressure signal after completion specified time	Lockout
LME41...: No air pressure signal after completion specified time or breakdown of jumper terminal 3/terminal 11	LME41...: Safety shutdown/restart
CPI contact is open during waiting time	Prevention of startup, lockout after 60 seconds at the latest

In the event of lockout, the LME... remains locked and the red signal lamp will light up. The burner control can immediately be reset. This state is also maintained in the case of mains failure.

Resetting the burner control

When lockout occurs, the burner control can immediately be reset. To do this, press the lockout reset button for about 1 second (<3 seconds). The LME... can only be reset when all contacts in the line are closed and when there is no undervoltage.

Functions (cont'd)

Limitation of repetitions
(only LME11...,
LME41.051...)

If no flame is established at the end of safety time, or if the flame is lost during operation, a maximum of 3 repetitions per controlled startup can be performed via control thermostat or pressurestat, or else lockout will be initiated. Counting of repetitions is restarted each time a controlled startup via control thermostat or pressurestat takes place.

PC software ACS410

Purpose of PC software:

The PC software is a component of the LME... system and serves primarily as an operator module for the following basic tasks:

- Visualization of system state with the following data:
 - Parameters
 - Process data
- Reset



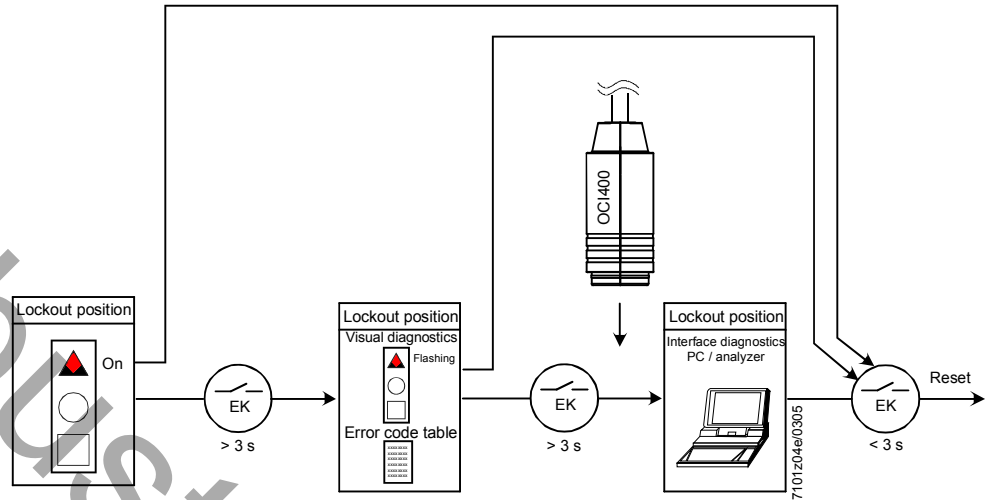
For operating and commissioning instructions, refer to Installation and Operating Instructions J7352.

Operation, indication, diagnostics (cont'd)

Diagnostics of the cause of fault

After lockout, the red signal lamp will remain steady on. In that condition, visual diagnostics of the cause of fault according to the error code table can be activated by pressing the lockout reset button for more than 3 seconds. Pressing the lockout reset button again for at least 3 seconds, interface diagnostics will be activated. Interface diagnostics works only if the lockout reset button extension AGK20... is not fitted. If, by accident, interface diagnostics has been activated, in which case the slightly red light of the signal lamp flickers, it can be deactivated by pressing again the lockout reset button for at least 3 seconds. The instant of switching over is indicated by a yellow light pulse.

The following sequence activates the diagnostics of the cause of fault:



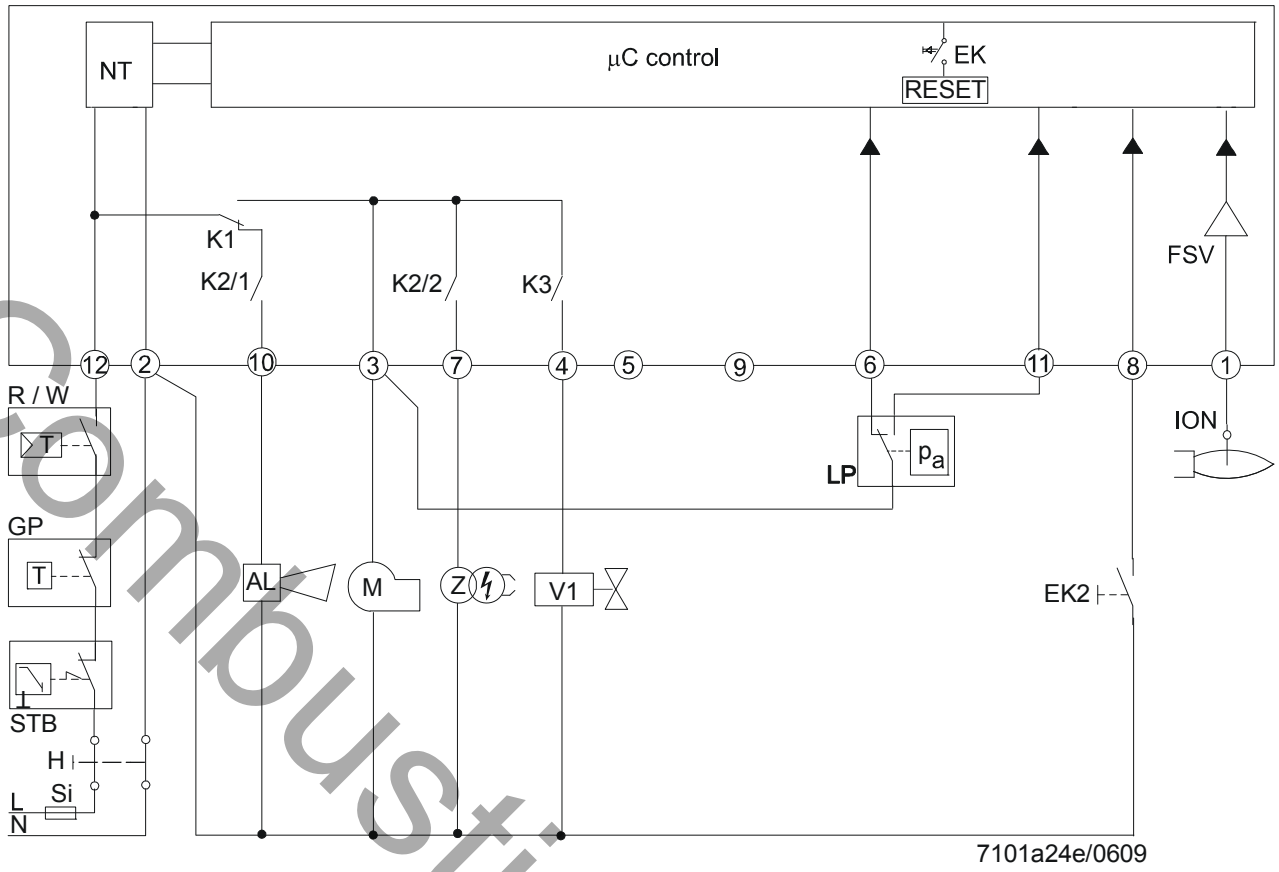
Error code table

Red blink code of signal lamp (LED)	Alarm at term. 10	Possible cause
2 blinks	ON	No establishment of flame at the end of safety time - Faulty or soiled fuel valves - Faulty or soiled flame detector - Poor adjustment of burner, no fuel - Faulty ignition equipment
3 x blinks	ON	Air pressure switch faulty - Loss of air pressure signal after specified time - Air pressure switch welded in normal position
4 blinks	ON	Extraneous light when burner is started up
5 blinks	ON	Air pressure switch time supervision - Air pressure switch welded in working position - Error with bei valve proving (only in conjunction with LDU11...)
6 blinks	ON	Free
7 blinks	ON	Too many losses of flame during operation (limitation of repetitions) - Faulty or soiled fuel valves - Faulty or soiled flame detector - Poor adjustment of burner
8 x blinks	ON	Free
9 blinks	ON	Free
10 blinks	OFF	Wiring error or internal error, output contacts, other faults
14 blinks	ON	CPI contact not closed

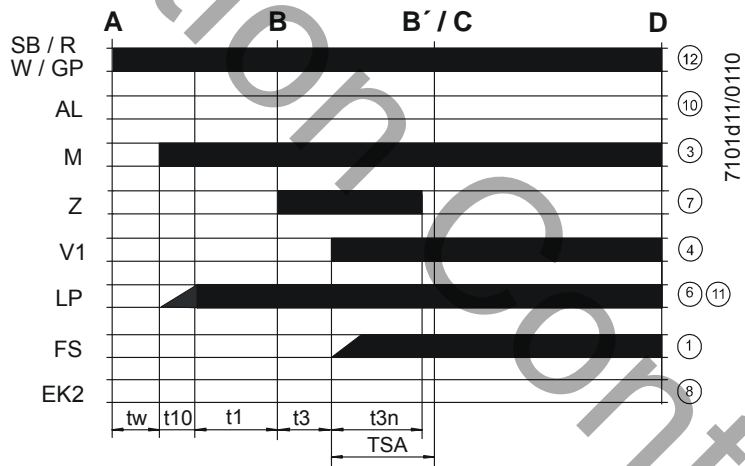
During the time the cause of fault is diagnosed, the control outputs are deactivated

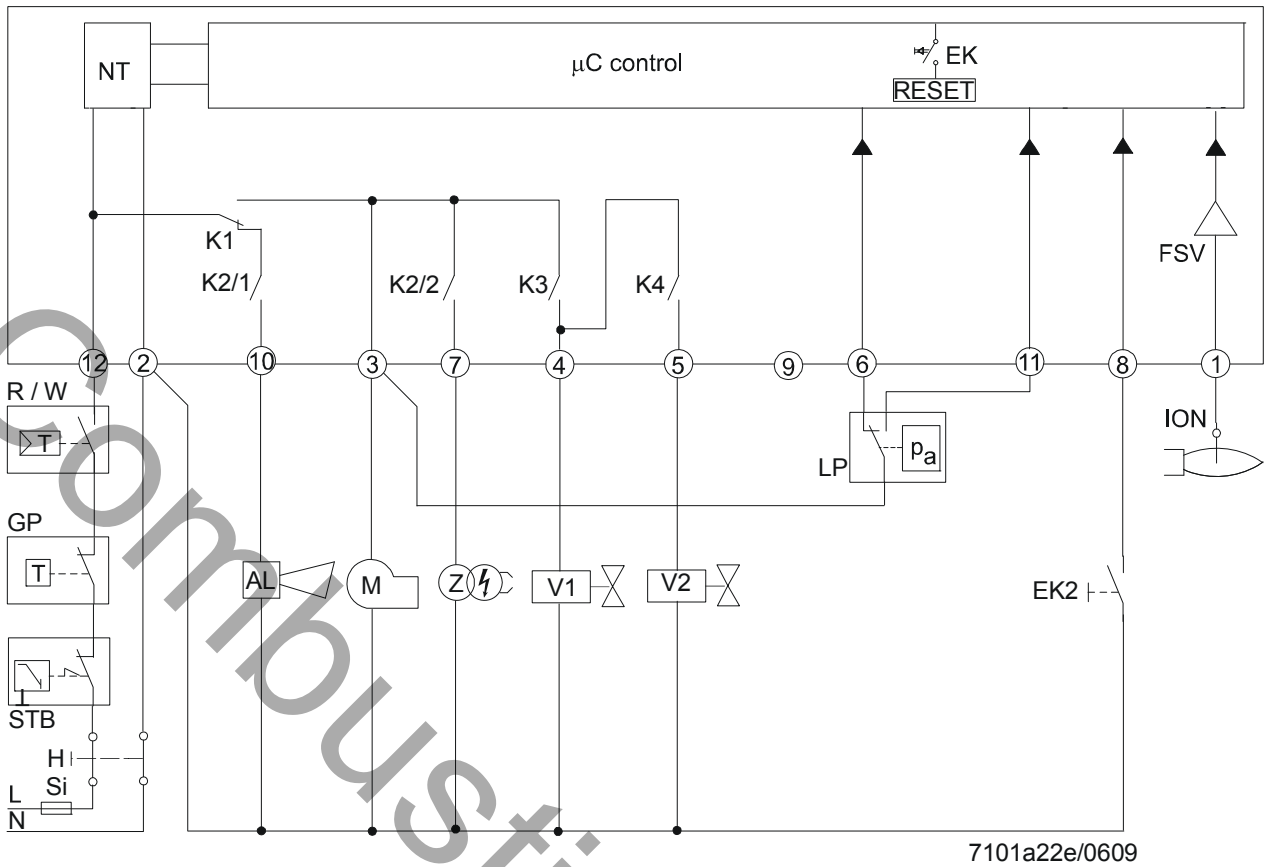
- Burner remains shut down
- External fault indication remains deactivated
- Fault status signal (alarm) at terminal 10, according to the error code table

The diagnostics of the cause of fault is quit and the burner switched on again by resetting the burner control. Press the lockout reset button for about 1 second (<3 seconds).

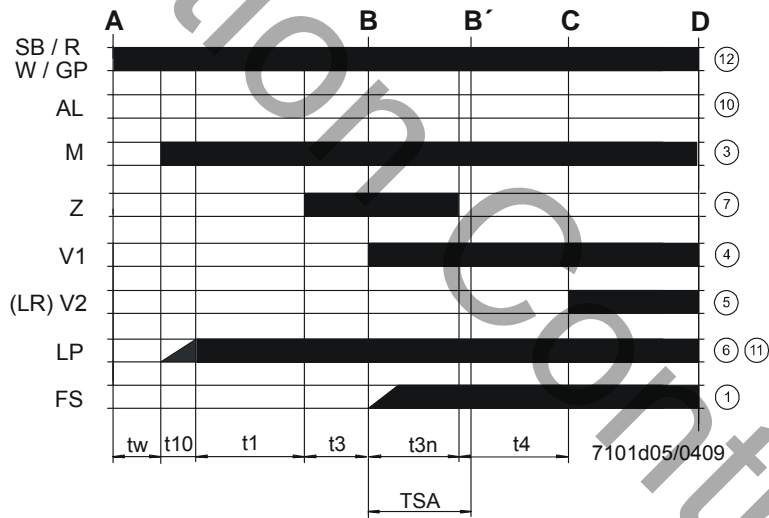


7101a24e/0609





7101a22e/0609



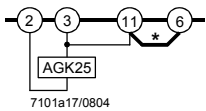
7101d05/0409

Application examples only LME11.../LME21.../LME22...



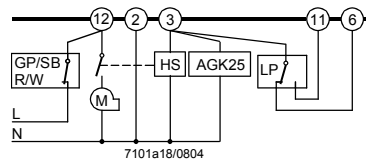
Caution!
The connection diagrams shown are merely examples which must be verified in the individual case depending on the application!

Burner without fan and without air pressure switch



7101a17/0804

Only for burner with fan control via auxiliary contactor with air pressure switch



7101a18/0804



*** Note!**
Different from LGB...



Caution!

The connection diagrams shown are merely examples which must be verified in the individual case depending on the application!

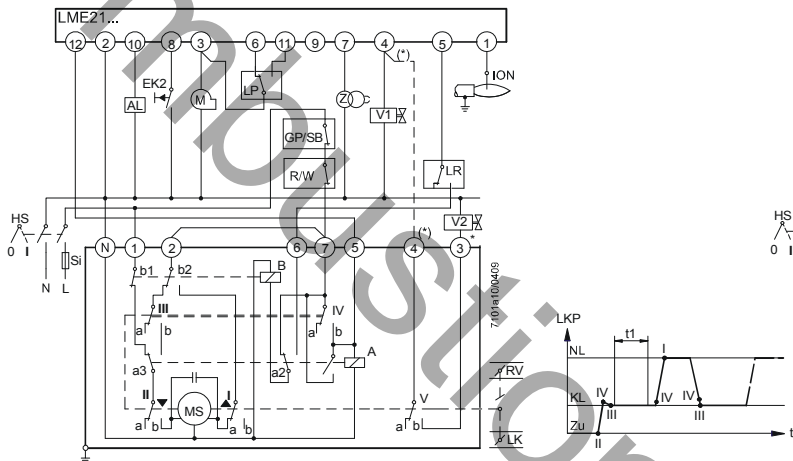
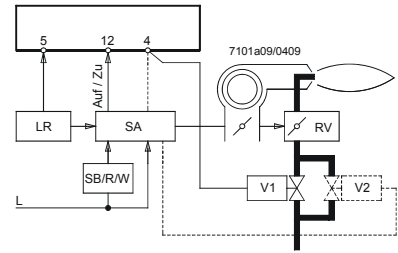
Control of actuators of 2-stage or 2-stage modulating burners. Controlled prepurging with low-fire air volume. Same low-fire actuator position during startup and operation.

For information about actuators:

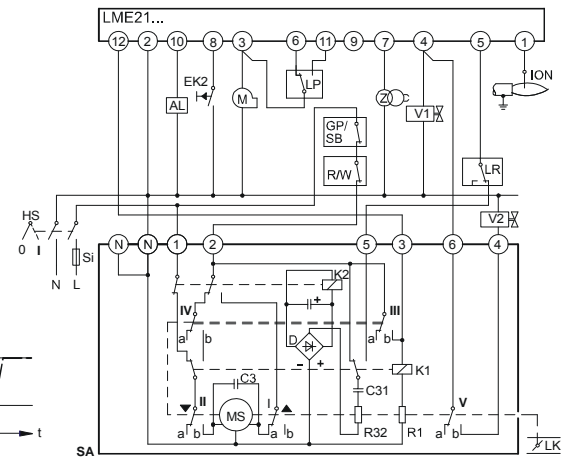
SQN3...: Refer to Data Sheet N7808

SQN7...: Refer to Data Sheet N7804

SQN9...: Refer to Data Sheet N7806



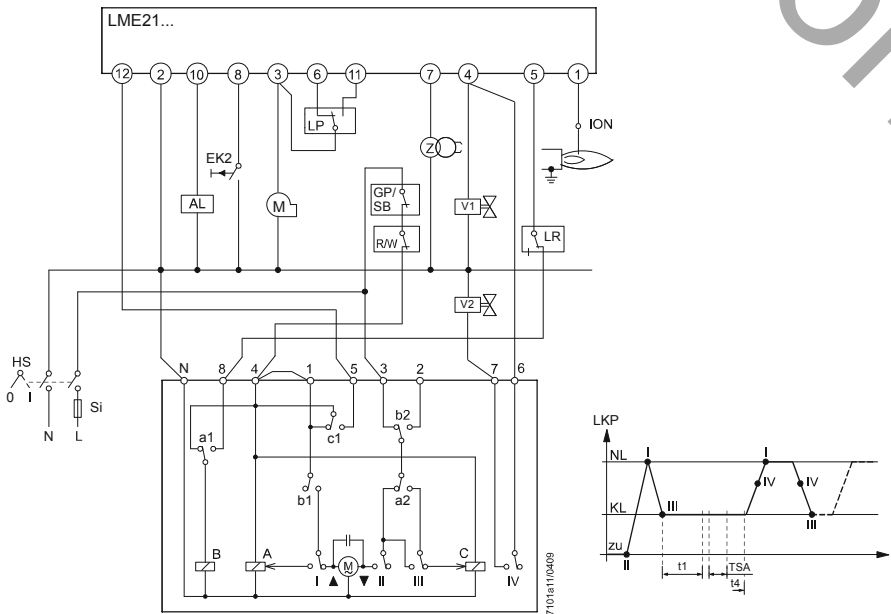
SQN3...121... / 2-stage control



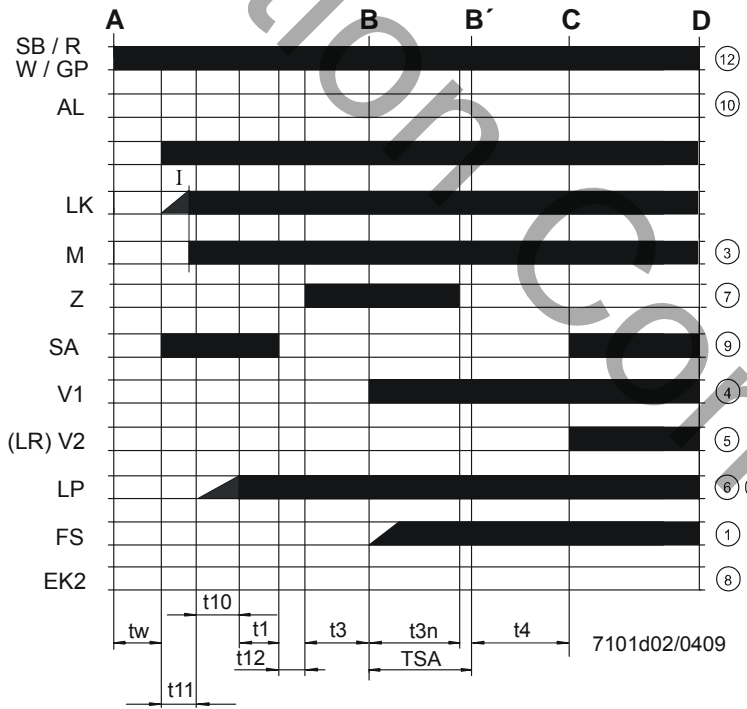
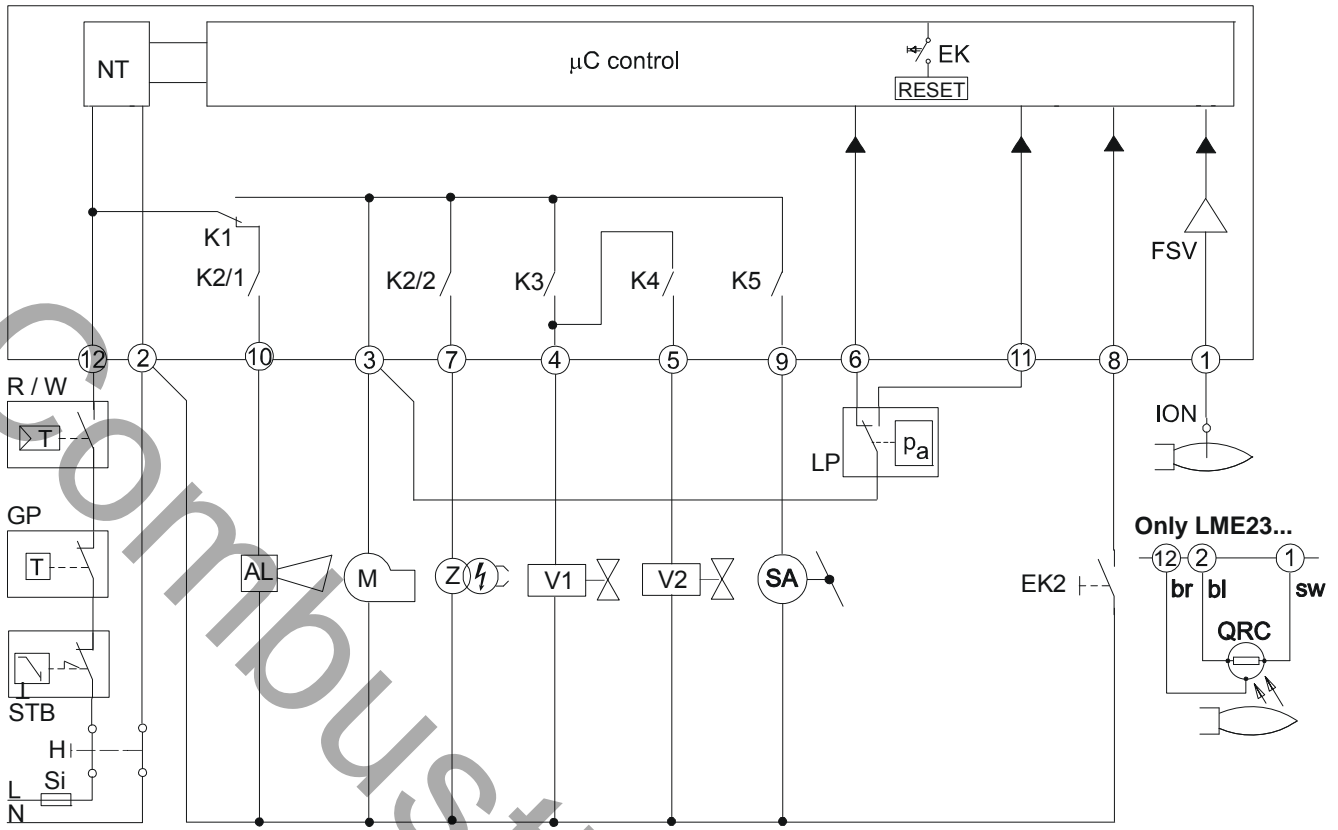
SQN91.140... / 2-stage control

*** Note**

With 2-stage modulating burners (with gas regulation damper), fuel valve 2 and the dotted connection between terminals (*) are not required.



SQN7...244 / 2-stage control





Caution!

The connection diagrams shown are merely examples which must be verified in the individual case depending on the application!

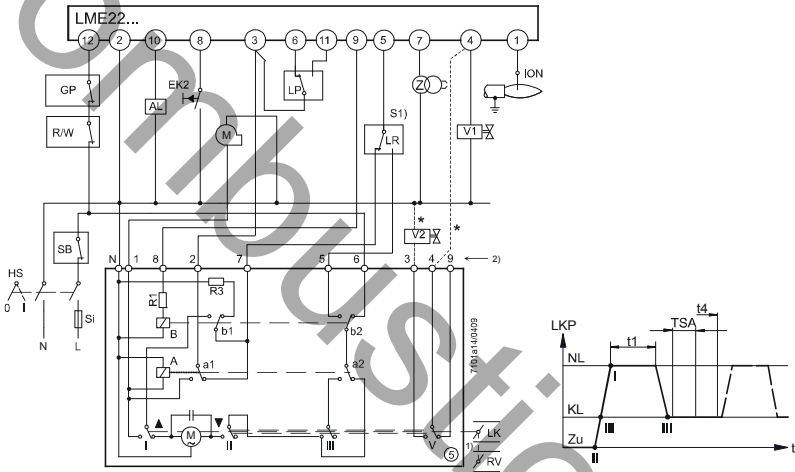
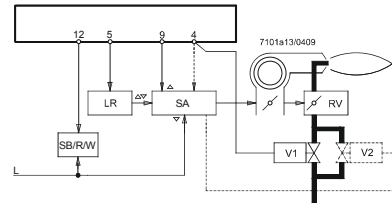
Control of actuators of 2-stage or 2-stage modulating burners. Controlled prepurging with high-fire air volume.

For information about actuators:

SQN3...: Refer to Data Sheet N7808

SQN7...: Refer to Data Sheet N7804

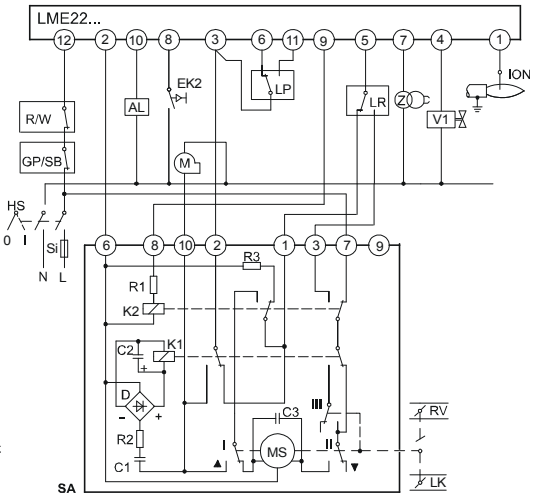
SQN9...: Refer to Data Sheet N7806



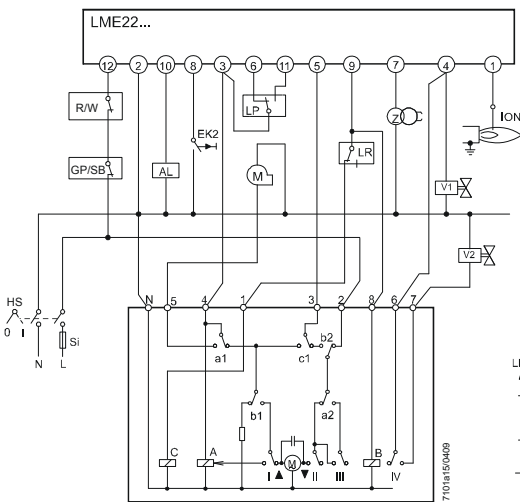
SQN3...151... or SQN3...251...

*** Note**

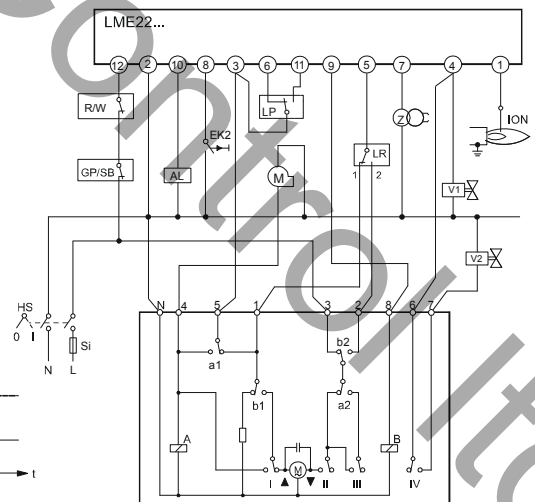
With 2-stage modulating burners (with gas regulation damper), fuel valve 2 and the dotted connection between terminals (*) are not required.



SQN90.220... / 2-stage modulating control



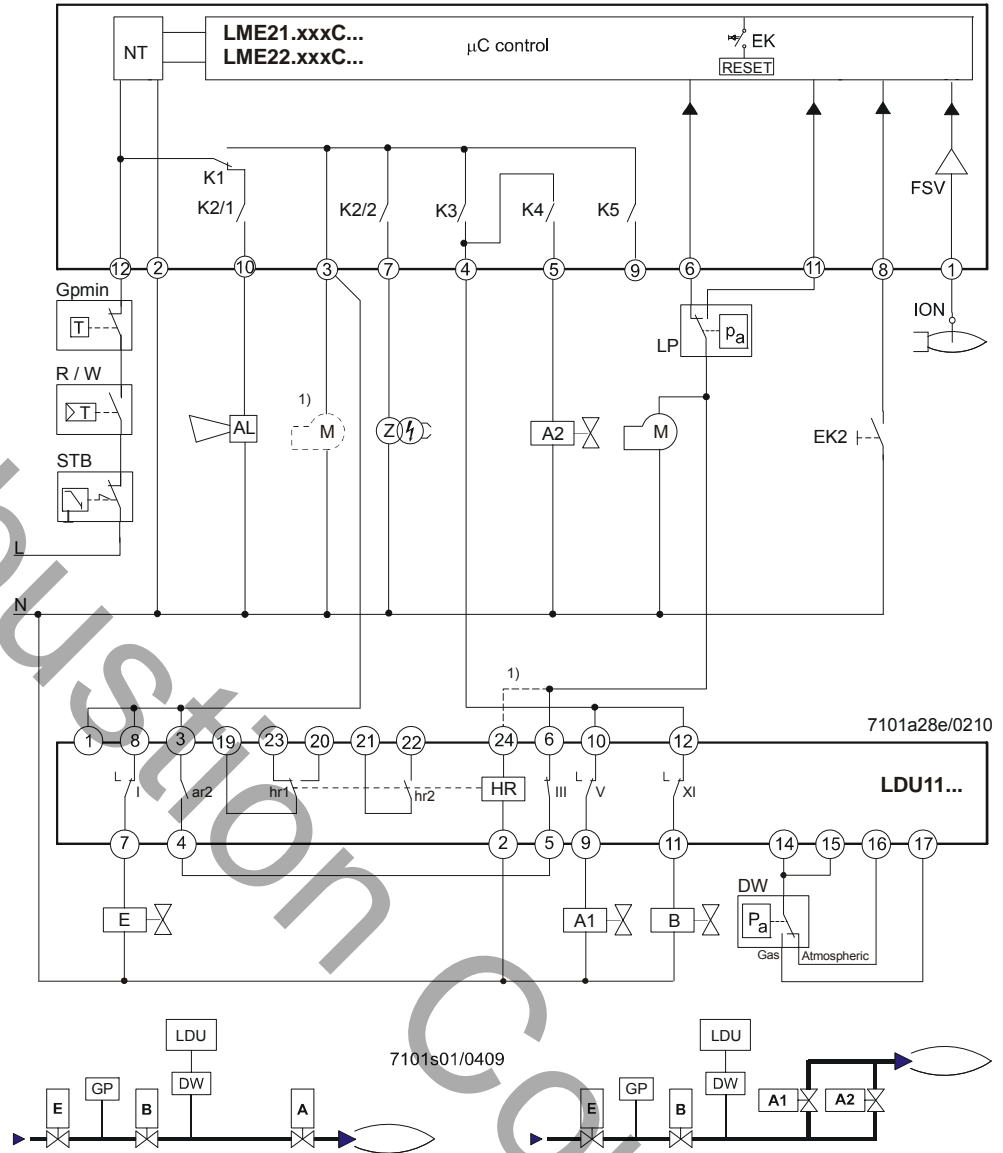
**SQN7...454 / 2-stage control
1-wire control**



**SQN7...424 / 2-stage control
2-wire control**

Application 1

- LME21.xxxC.../LME22.xxxC... with LDU11... valve proving
- Before startup of burner
- In the case of plants without vent pipe to atmosphere



1) Fan motor connected to terminal 3 of the LME21.xxxC.../LME22.xxxC...

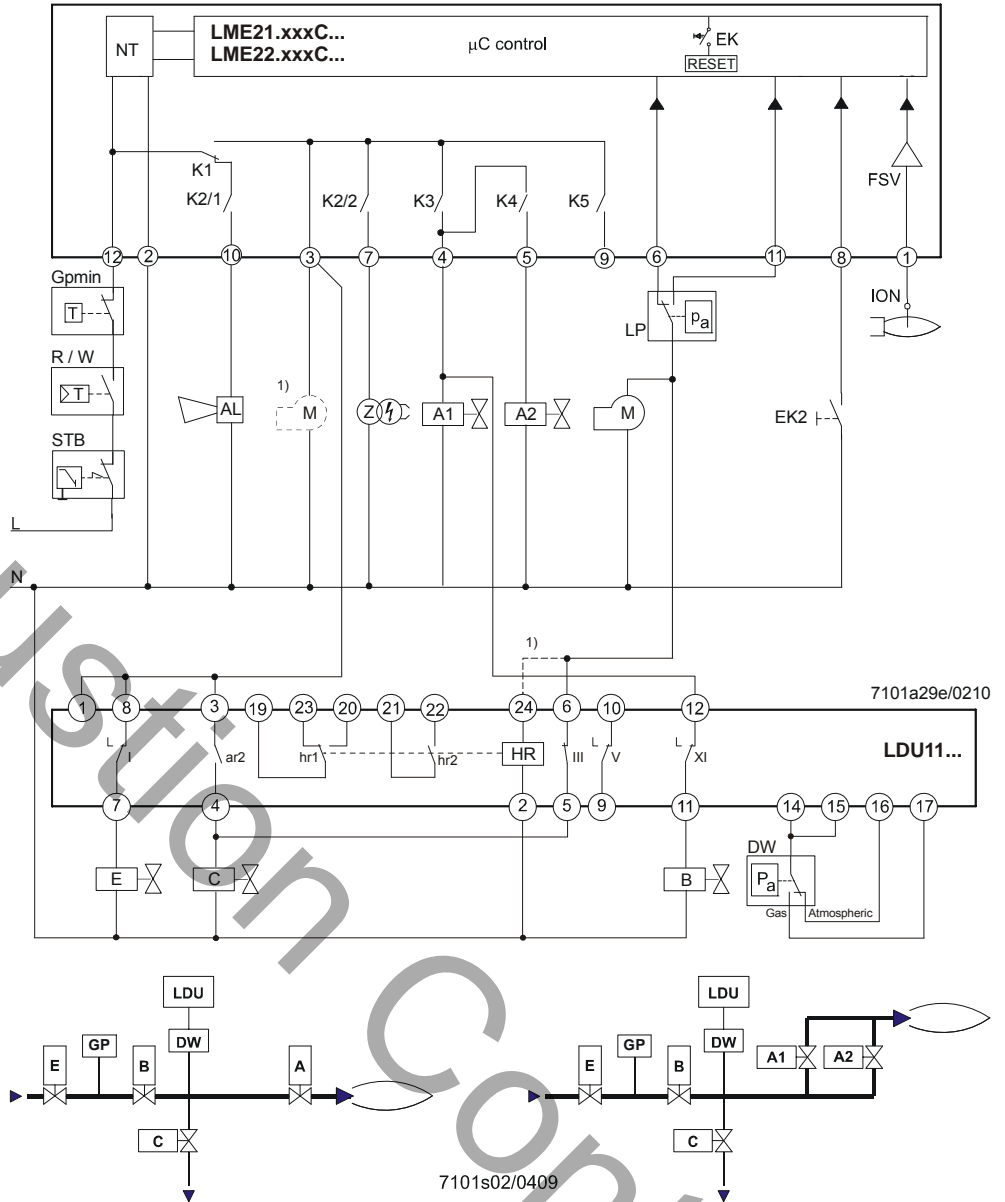
- Valve proving is started each time the system is switched on, with connection of terminal 3, after controller ON or after lockout
- If the LDU11... initiates lockout, valve proving can take up to 160 seconds. Therefore, the maximum permissible response time of the air pressure switch is 180 seconds
- With the LDU11..., faults during valve proving lead to lockout and, with the LME21.xxxC.../LME22.xxxC..., to lockout due to air pressure switch timeout (blink code 03)



Note!

- A faulty air pressure switch (air pressure switch does not make) leads to lockout (blink code 03) on completion of the air pressure switch response time of 180 seconds and can be distinguished from lockout due to faulty valve proving only because the LDU11... did not go to lockout
- The fan motor can be connected either to terminal 3 in connection with a link between terminals 6 and 24 of the LDU11... (motor active during valve proving) or to terminal 6 of the LDU11... (motor active on completion of successful valve proving)

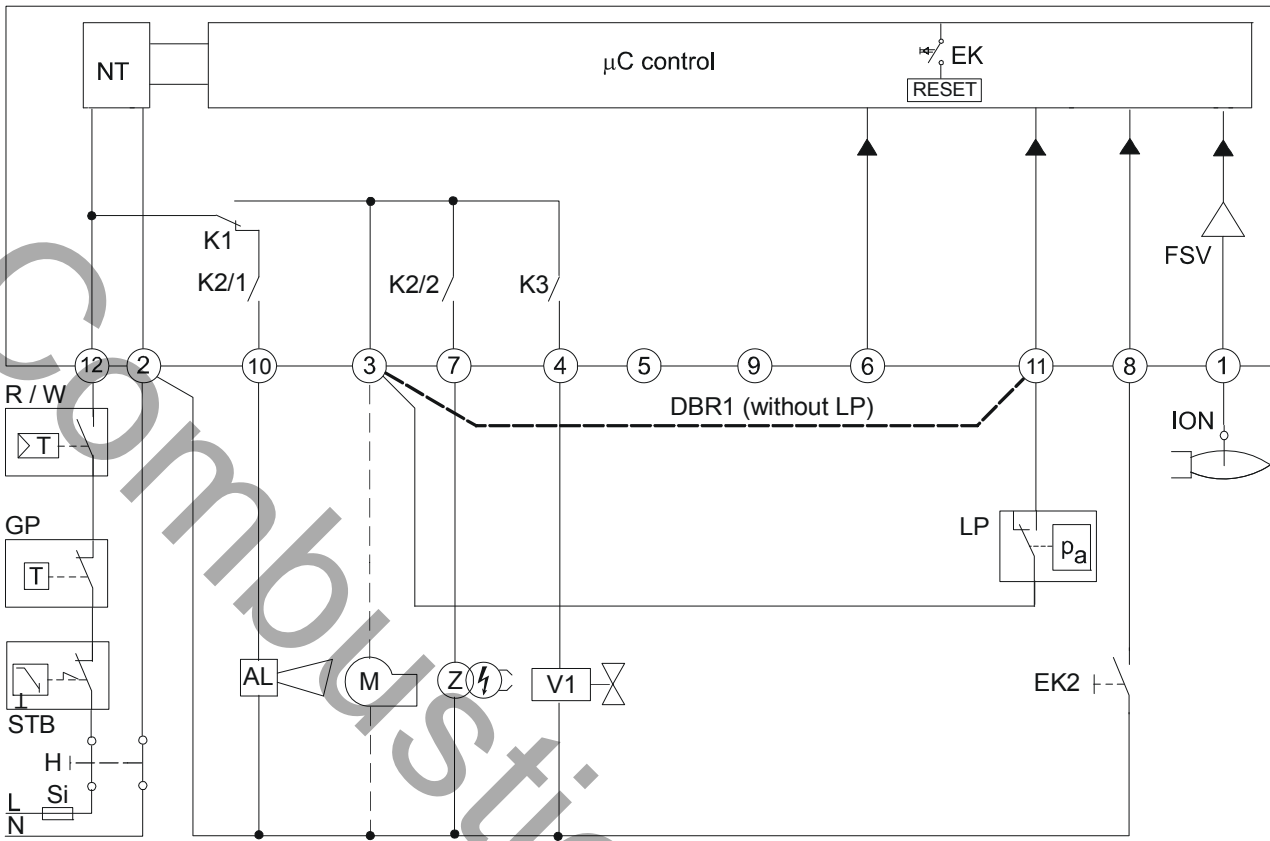
- LME21.xxxC.../LME22.xxxC... with LDU11... valve proving
- Valve supervision before startup of burner
- In the case of plants with vent pipe to atmosphere



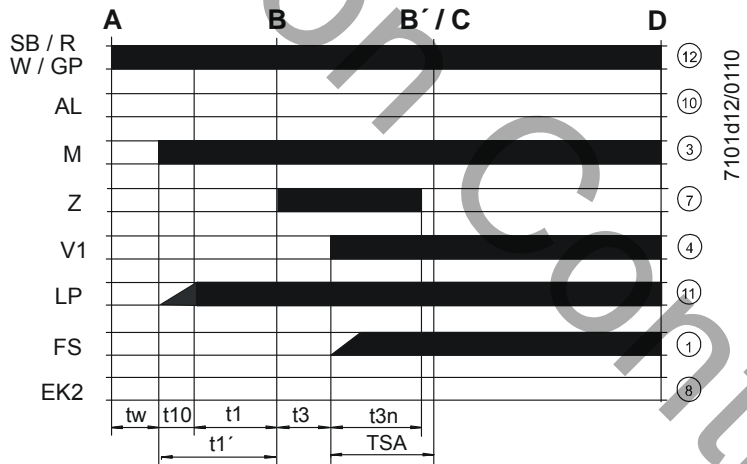
1) Fan motor connected to terminal 3 of the LME21.xxxC.../LME22.xxxC...

- Valve proving is started each time the system is switched on, with connection of terminal 3, after controller ON or after lockout
- If the LDU11... initiates lockout, valve proving can take up to 160 seconds. Therefore, the maximum permissible response time of the air pressure switch is 180 seconds
- With the LDU11..., faults during valve proving lead to lockout and, with the LME21.xxxC.../LME22.xxxC..., to lockout due to air pressure switch timeout (blink code 03)
- Note!
A faulty air pressure switch (air pressure switch does not make) leads to lockout (blink code 03) on completion of the air pressure switch response time of 180 seconds and can be distinguished from lockout due to faulty valve proving only because the LDU11... did not go to lockout
- The fan motor can be connected either to terminal 3 in connection with a link between terminals 6 and 24 of the LDU11... (motor active during valve proving) or to terminal 6 of the LDU11... (motor active on completion of successful valve proving)

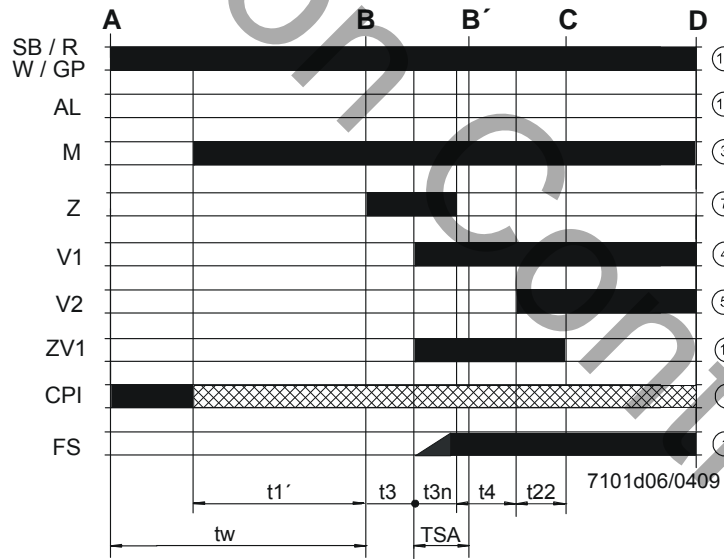
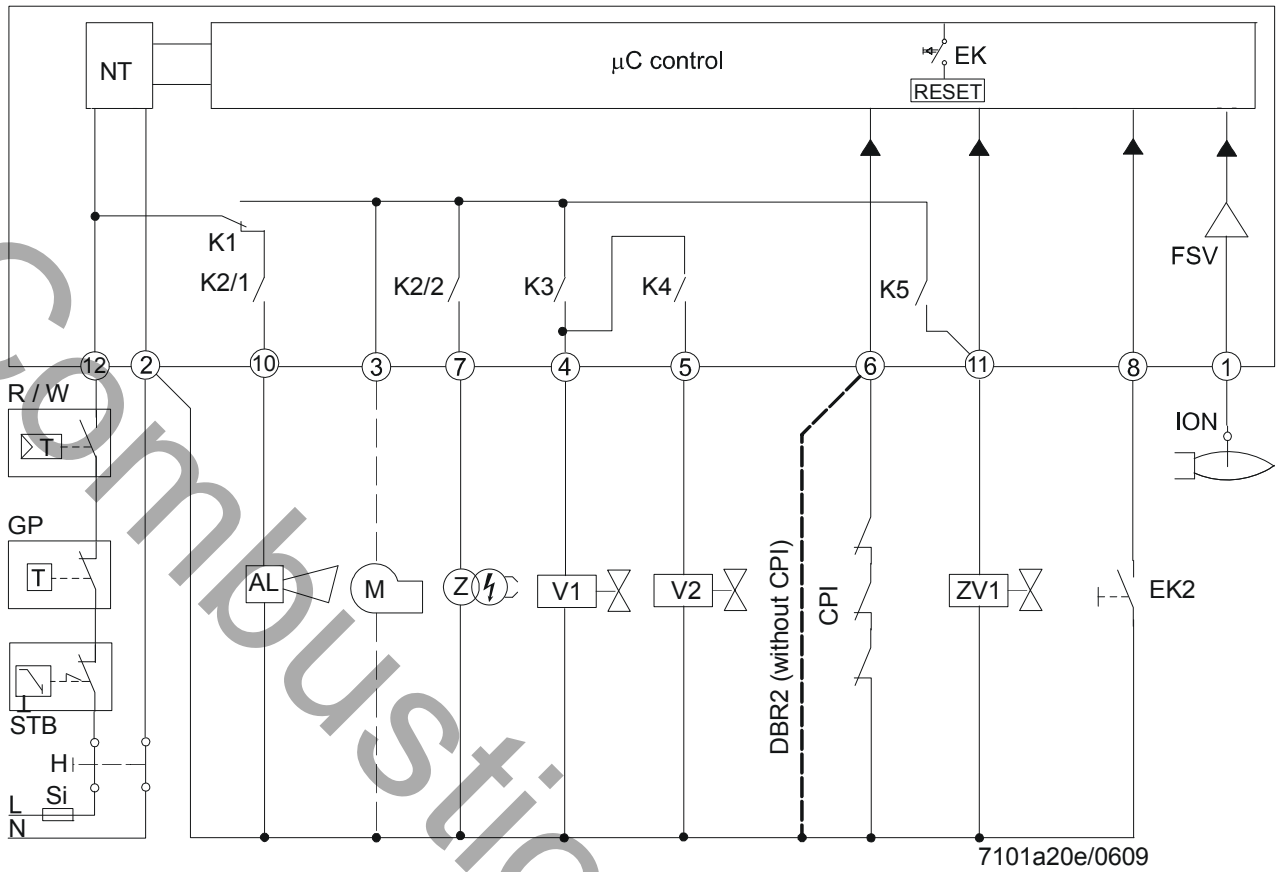
Inputs and outputs/internal connection diagram/control sequence of LME41...






7101a27e/0609



Inputs and outputs/internal connection diagram/control sequence of LME44...



Legend

A	Start command (switching on by control thermostat or pressurestat)
B-B'	Interval for establishment of flame
C	Operating position of burner reached
C-D	Burner operation (generation of heat)
D	Controlled shutdown by control thermostat or pressurestat <ul style="list-style-type: none"> • Burner will immediately be shut down • Burner control will immediately be ready for new startup
I	Cam I actuator
t1	Prepurge time
t1'	Purge time
t3	Preignition time
t3n	Postignition time
t4	Interval between ignition OFF and release of fuel valve 2
t10	Specified time for air pressure signal
t11	Programmed opening time for actuator
t12	Programmed closing time for actuator
t22	Safety time
TSA	Ignition safety time
tw	Waiting time
	Control signal
	Required input signal
	Permissible input signal
AGK25...	PTC resistor
AL	Error message (alarm)
V...	Fuel valve
CPI	Closed Position Indicator
DBR...	Wire link
DW	Pressure switch valve proving
EK	Lockout reset button (internal)
EK2	Remote lockout reset button
FS	Flame signal
FSV	Flame signal amplifier
GP	Gas pressure switch
H	Main switch
HS	Auxiliary contactor, relay
ION	Ionization probe
K1...4	Internal relays
KL	Low-fire
LK	Air damper
LKP	Air damper position
LP	Air pressure switch
LR	Load controller
M	Fan motor
MS	Synchronous motor
NL	High-fire
NT	Power supply
QRA...	Flame detector
QRC...	Blue-flame detector (bl = blue, br = brown, sw = black)
R	Control thermostat/pressurestat
RV	Gas regulation damper
SA	Actuator SQN...
SB	Safety limiter
Si	External pre-fuse
STB	Safety limit thermostat
t	Time
W	Limit thermostat/pressure switch
Z	Ignition transformer
ZV	Extra valve

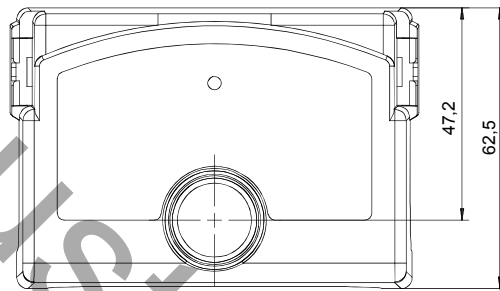
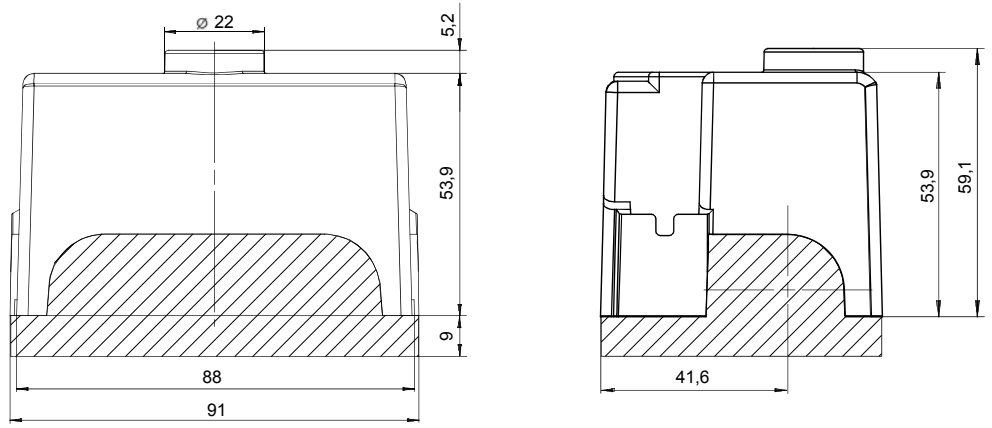
Dimensions

Dimensions in mm

LME...

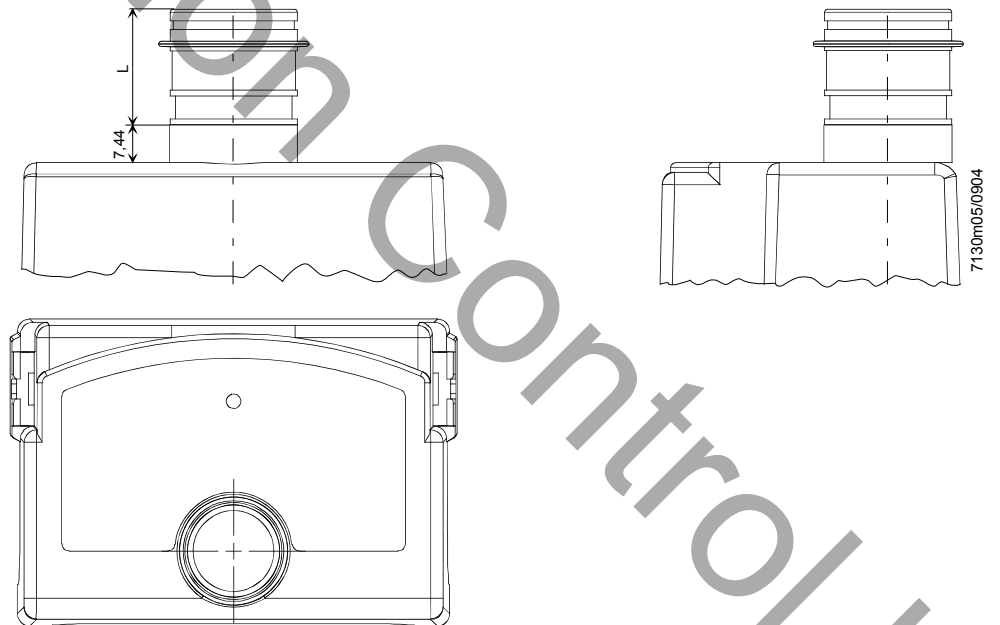


 Plug-in base AGK11.../AGK13...



7101m02/0605

LME... with extension of
lockout reset button
AGK20...

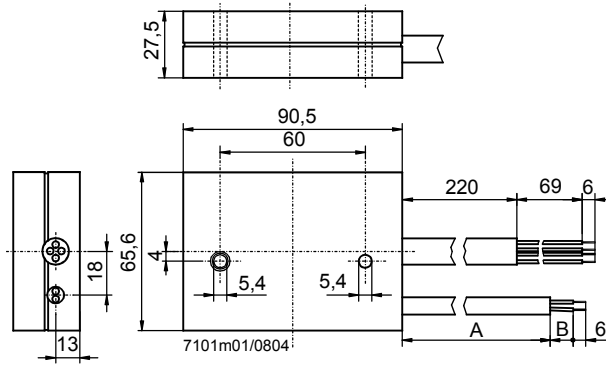


7130m05/0904

Product no.	Length (L) in mm
AGK20.19	19
AGK20.43	43
AGK20.55	55

Dimensions in mm

Ancillary unit
AGQ3...A27



Product no.	Dimensions	
	A	B
AGQ3.1A27	500	19
AGQ3.2A27	300	34